

Diagram illustrating the area calculation of the composite shape S using the method of subtraction:

$$S = 20 \times 10 - 5 \times 5 - (8 \times 6) \div 2$$

The diagram shows the composite shape S on the left, followed by an equals sign, a yellow square representing the 20x10 area, a minus sign, a blue square representing the 5x5 area, another minus sign, and an orange triangle representing the area of the right-angled triangle CDE.

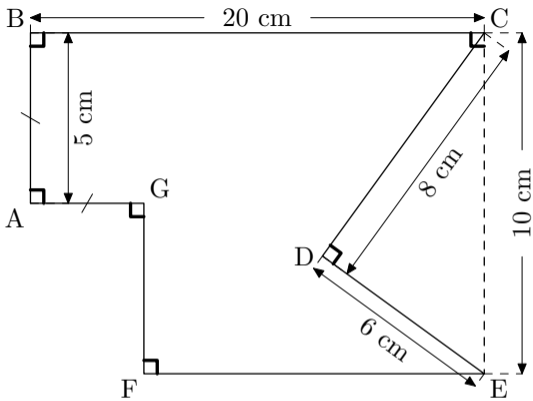


Diagram illustrating the area calculation of the composite shape S using the method of subtraction:

$$S = 20 \times 10 - 5 \times 5 - (8 \times 6) \div 2$$

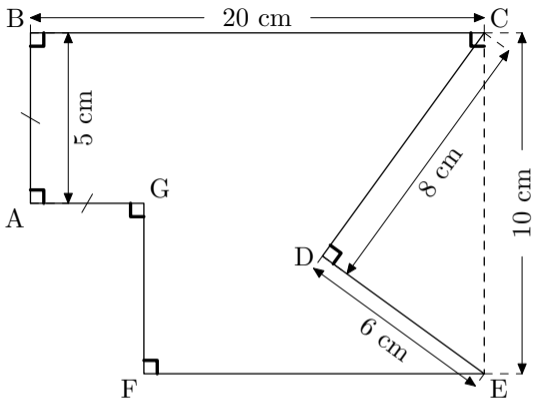


Diagram illustrating the area calculation of the composite shape S using the method of subtraction:

$$S = 20 \times 10 - 5 \times 5 - (8 \times 6) \div 2$$

The diagram shows the composite shape S on the left, followed by an equals sign, a yellow square representing the 20x10 area, a minus sign, a blue square representing the 5x5 area, another minus sign, and an orange triangle representing the area of the right-angled triangle CDE.