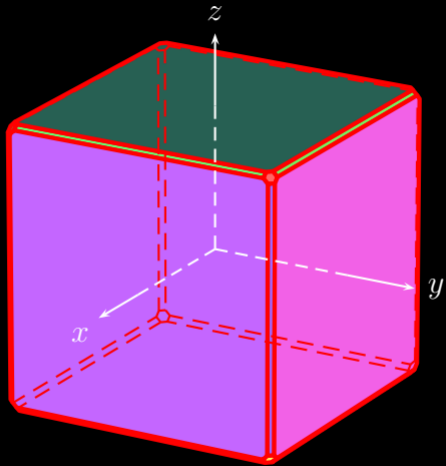
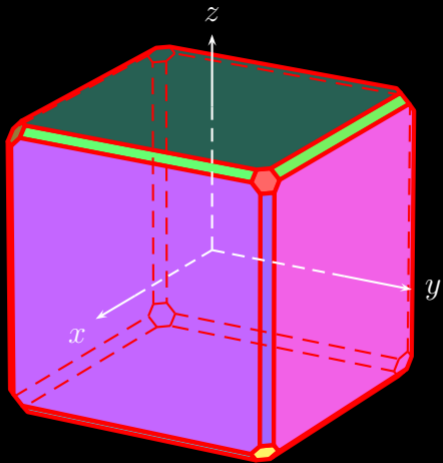


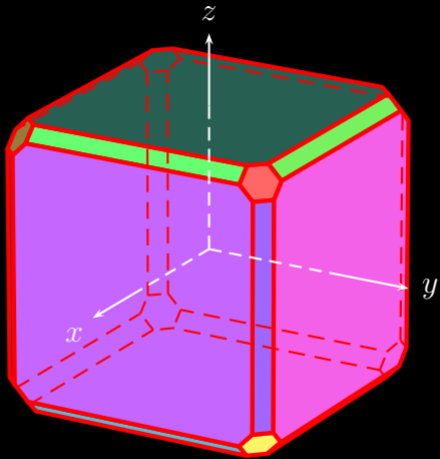
$$k = 0$$



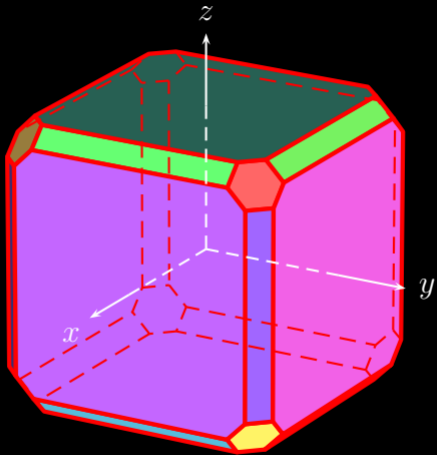
$$k = 0.05$$



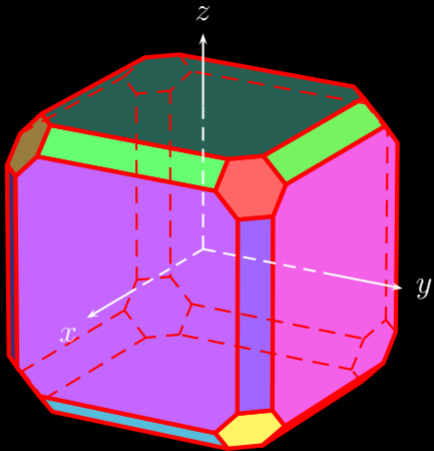
$$k = 0.10$$



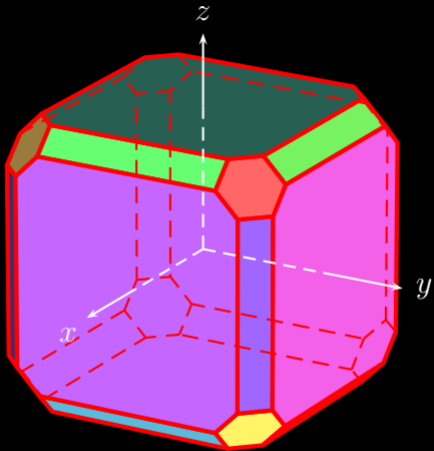
$$k = 0.15$$



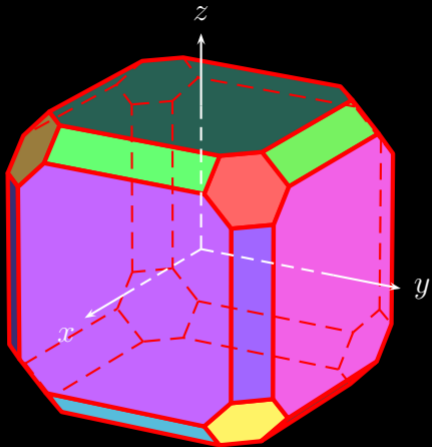
$$k = 0.20$$



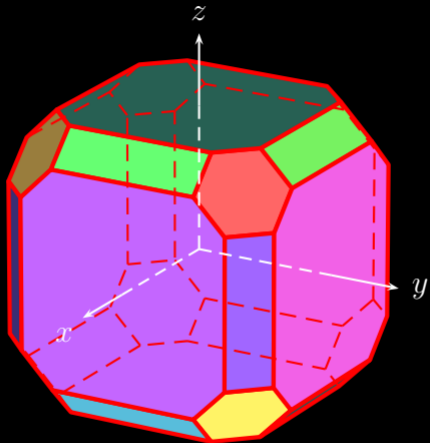
$$k = 0.25$$



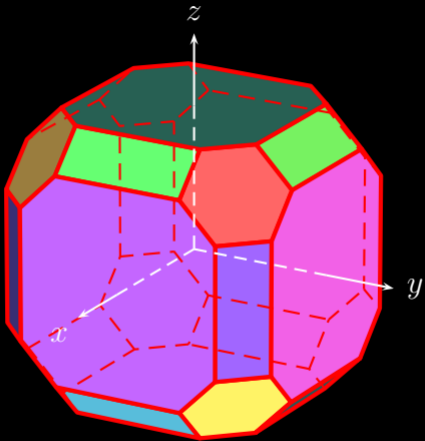
$$k = 0.25$$



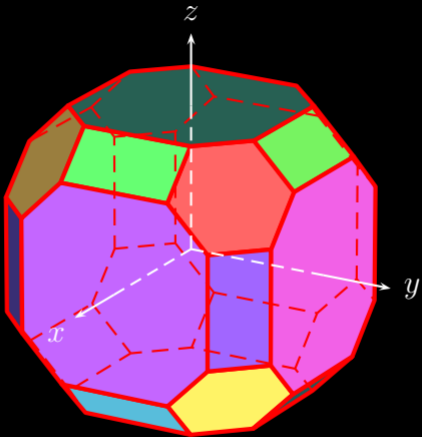
$$k = 0.30$$



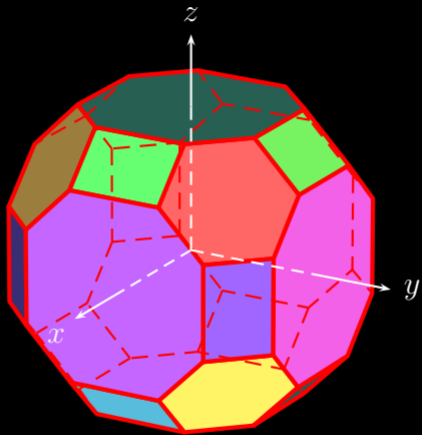
$$k = 0.35$$



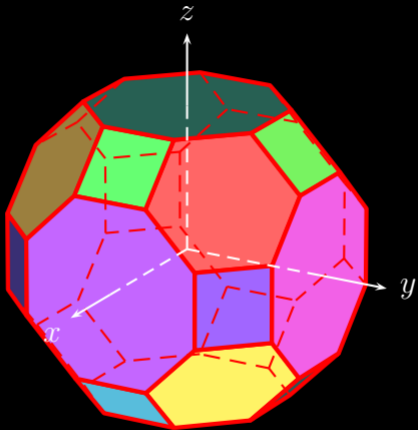
$$k = 0.40$$



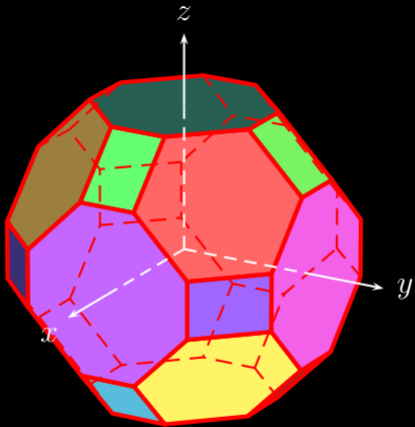
$$k = 0.45$$



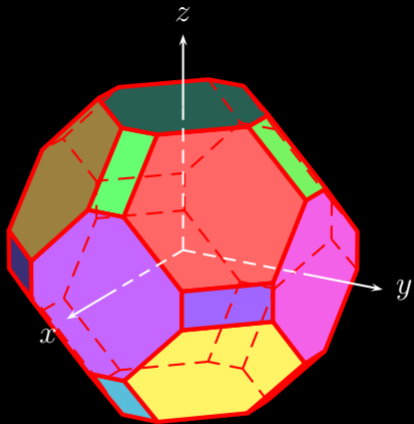
$$k = 0.50$$



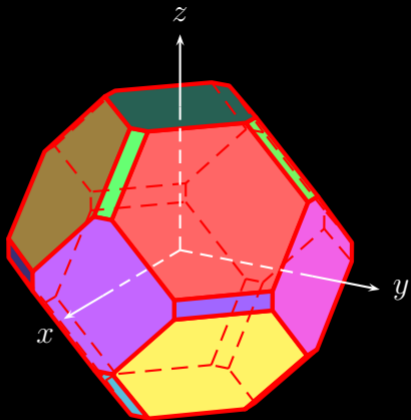
$k = 0.55$: Great rhombicuboctahedron



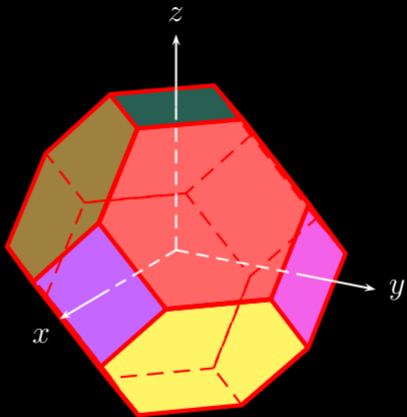
$$k = 0.60$$



$$k = 0.65$$



$$k = 0.70$$



$k = 0.75$: octaèdre tronqué